



**INSTANT, UNLIMITED  
HOT WATER ON  
DEMAND...**  
**...uncompromised  
comfort!**

The **Aqua-Hot Edge Tankless On Demand Water Heater** provides an instant, endless supply of hot water at a controlled temperature as set by the RV owner.

Equipped with a recirculating loop, the hot water stays at the ready, and creates a nearly “instant hot” environment. No more wasting on-board water waiting for spigot water to come up to temperature.

The On-Demand feature saves energy by only engaging the burners when water is needed...be it for a hot shower, clean dishes or for hosing off after a day at the beach.

Sized to fit into existing standard 6-gallon water heater side-wall cutouts, the unit comes ready for set-up with an included wall mount digital control center. Available in Doored or Door-Less models.

## EDGE TANKLESS ON-DEMAND WATER HEATER

### Designed With a Wide Array of Safety & Protection Features

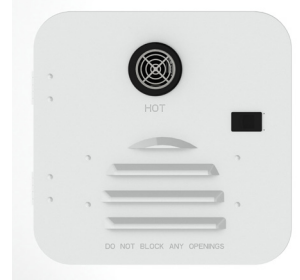
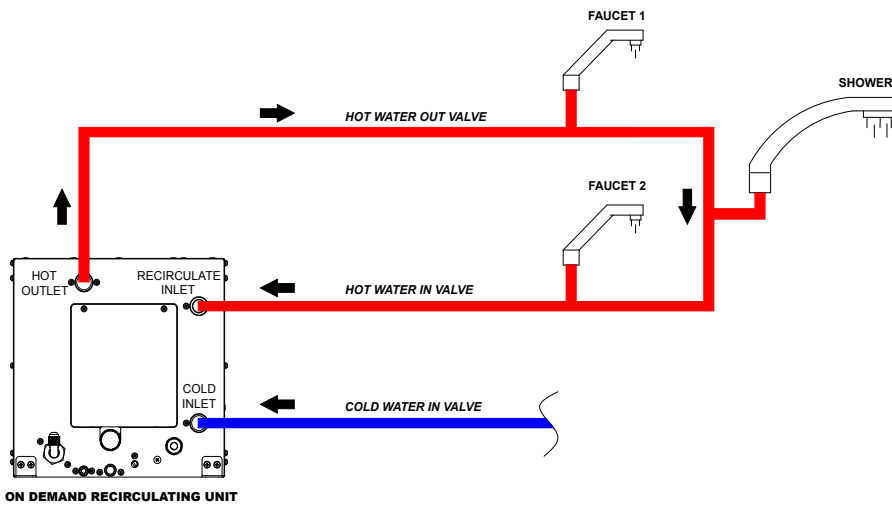
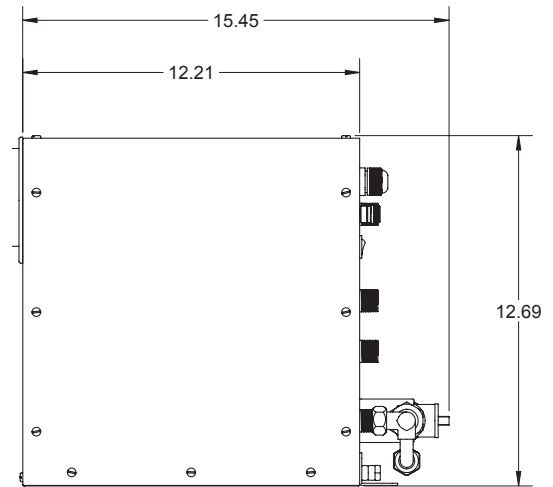
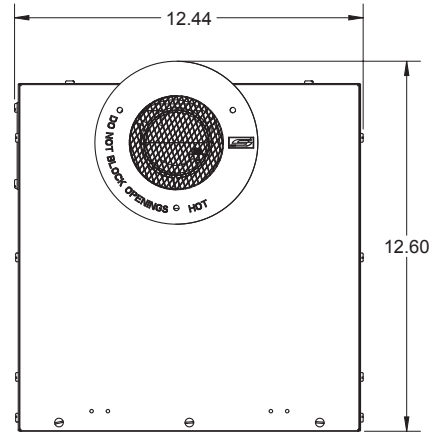
- **Ideal for any RV seeking to set itself apart** with unlimited hot water. The high BTU output ensures water at a consistent output temperature, even in areas with low temperature water inlet sources.
- **“Instant Hot” recirculating loop, keeps hot water at the ready**, no more wasting on-board water waiting for spigot water to come up to temperature.
- **The Water Heater Installs Inside the Coach**, with only the vent cap showing through the exterior side-wall for a finished look. Available in Doored or Door-Less models.
- **Flame Out Protection** is a safety feature that will cut gas supply immediately due to low propane pressure or burner malfunction.
- **Scald Protection** is managed through an internal high temperature kill switch to protect against a thermostat malfunction. A child lock prevents outlet temperatures in excess of 113° F.
- **Automatic Fan Monitoring** cuts gas supply should the air flow or combustion air supply be interrupted.
- **Active Freeze Protection** from unexpected low temperatures when power and propane are available.
- **Pressure Release Safety Valve**
- **Voltage Protection** shuts down the unit if low/high or overcurrent voltage is detected.
- **Worry-Free** two-year limited warranty.



*Digital wall controller included*

## Edge Tankless On-Demand Water Heater

TECHNICAL SPECIFICATIONS	
Max. / Nominal Heat Input	65,000 BTU
Minimum Heat Input	8,000 BTU
Max. Inlet Gas Pressure	3.49 kPa (14" wc)
Min. Inlet Gas Pressure	2.62 kPa (10.5" wc)
Rated Gas Inlet Pressure	2.74 kPa (11" wc)
Electrical Supply	12VDC
Total Input Current	<10A
Ignition Method	Automatic Ignition
Min. Water Flow Rate	0.4 GPM
Gas Inlet Connection	3/8" Male Flare
Water Inlet/Outlet Connections	1/2" Male NPT
Dimensions (Casing, HxWxD)	12-1/2" x 12-3/4" x 13"
Max Outlet Temperature	131°F (55°C)
Weight (unit only)	19.0 lbs.
Digital Wall Controller	Included
Dimensions (Wall Controller, HxWxD)	4.93" x 3.17" x 0.69"



Available with Black or White door.



For more information, visit: [www.aquahot.com](http://www.aquahot.com)